

856 Series



Applications

Push-pull locking plug

Standards

Intermateable with
MIL-C 26482 G Series I

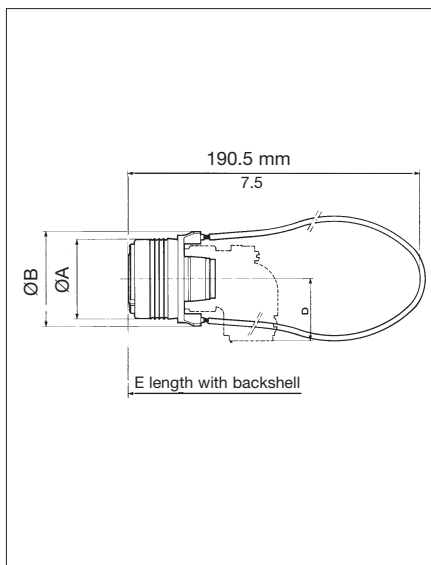
Description

- Locking by pushing on the coupling nut ;
unlocking by pulling a lanyard
- Mounting on all 851 MIL-C 26482 Series I receptacles

Ordering information

basic series	crimp version	856 - 06	R	•• - ••	P	•	50-	••
	solder version	856 - 06	E	•• - ••	P	•	50-	••
shell type	<p>06 - plug for use with straight backshell 08 - plug for use with 90° backshell</p>							
backshell type	<p>R/E - backnut RC/EC - straight cable clamp RA/A - straight adapter rp/p - straight backshell for potting RM/M - straight removable backshell for heatshrink sleeving RT/T - straight removable backshell for screen termination and heatshrink sleeving RC/EC - 90° cable clamp RP/P - 90° backshell for potting</p>							
shell size	8 - 10 - 12 - 14 - 16 - 18 - 20 - 22 - 24							
contact layout	see 851 contact layout page 20							
contact type	P = male - S = female							
polarization	N normal (not included in part number) w, x, y, z, see 851 table page 20							
obligatory suffix								
specification	<p>07 olive-green cadmium plate (solder version) 08 olive-green cadmium plate (crimp version) 09 white cadmium plate (crimp and solder version)</p>							

Dimensions



backshell type	shell size	8	10	12	14	16	18	20	22	24
	A	19.50 .768	22.80 .898	27.30 1.075	30.80 1.213	34.00 1.339	37.00 1.457	41.00 1.614	44.50 1.752	49.20 1.937
	B	24.95 .982	28.25 1.112	32.55 1.281	36.05 1.419	39.05 1.537	42.05 1.656	45.80 1.803	49.20 1.937	53.45 2.104
06 R	E	32.00 1.260	32.00 1.260	32.00 1.260	32.00 1.260	32.00 1.260	32.00 1.260	31.80 1.252	31.80 1.252	31.80 1.252
06 RC	E	47.30 1.862	47.30 1.862	47.30 1.862	47.30 1.862	50.50 1.988	50.50 1.988	49.90 1.965	49.90 1.965	49.90 1.965
06 RP	E	42.10 1.657	42.10 1.657	42.10 1.657	42.10 1.657	42.10 1.657	45.40 1.787	49.80 1.961	49.80 1.961	49.80 1.961
06 RA	E	41.00 1.614	41.00 1.614	41.00 1.614	41.00 1.614	41.00 1.614	41.00 1.614	43.00 1.693	43.00 1.693	43.20 1.701
06 RM	E	50.00 1.969	50.00 1.969	50.00 1.969	50.00 1.969	50.00 1.969	50.00 1.969	51.70 2.035	51.70 2.035	51.70 2.035
06 RT Specifications 38 or 42	E	50.00 1.969	50.00 1.969	50.00 1.969	50.00 1.969	50.00 1.969	50.00 1.969	51.70 2.035	51.70 2.035	51.70 2.035
08 RC	E	50.10 1.972	52.60 2.071	54.90 2.161	58.50 2.303	60.80 2.394	65.00 2.559	68.80 2.709	71.20 2.803	76.20 3.000
	D Max	16.00 .630	18.00 .709	19.50 .768	22.00 .866	23.50 .925	25.00 .984	26.50 1.043	28.00 1.102	31.00 1.220
08 RP	E	40.70 1.602	44.90 1.768	47.00 1.850	49.20 1.937	50.60 1.992	51.80 2.039	53.10 2.091	54.50 2.146	57.90 2.280
	D Max	11.00 .433	14.35 .565	15.90 .626	16.30 .642	19.30 .760	20.60 .811	21.90 .862	23.50 .925	30.15 1.187

Note : For backshells dimensioning refer to values given in 851 Series.

HE 308 Rack Version



Applications

Rack and panel connectors

Standards

HE 308



Description

- Equipment receptacle
 - Male contacts (crimp or straight spill)
- Rack plug
 - female contacts (crimp)
 - Angular gap $\pm 6^\circ$ min.
 - Axial displacement : 1mm

Characteristics

Mechanical

- Shell : aluminum alloy
- Plating : olive green cadmium
- Insulator : thermoplastic or thermoset
- Grommet and interfacial seal : silicone elastomer
- Contact : copper alloy, gold plated
- Endurance : 500 cycles (mating / unmating)
- Shock : 1500 m/s² Rms. 3 ms 1/2 sinus
- Vibration : 264 m/s² random vibrations
- Contact retention :
 - # 22D : 45 N # 20 : 67 N
 - # 16 : 110 N # 12 : 110 N
 - # 8 : 110 N

Electrical

- Withstanding voltage (Vrms)

Service	sea level	21000 m
M	1300	800
I	1800	1000
II	2300	1000

- Contact resistance :
 - resistance of wire included in measurement :
 - # 22D : 14.6 m Ω # 16 : 3.8 m Ω
 - # 20 : 7.3 m Ω
- Insulation resistance : ≥ 5000 M Ω under 500 Vdc
- Current rating per contact :
 - # 22D : 5 A # 16 : 13 A
 - # 20 : 7.5 A # 12 : 23 A
- Electrical continuity : 2,5 m Ω
- Shielding : 90 dB to 50 dB /100 mHz to 10 GHz

- Triaxial :
 - Contact # 8 Bandwidth : 0 - 20 MHz
- Voltage rating :
 - 500 Vac Max
 - 125 Vac at 21 000 m
- Voltage drop :
 - inner and middle contact :
 - ≤ 55 mv under 1 A
 - outer contact :
 - ≤ 75 mV under 12 A

Climatic

- Working temperature : -65 °C to + 175 °C
- Resistance to salt spray : 500 hrs
- Damp heat : NFC 93422, 56 days

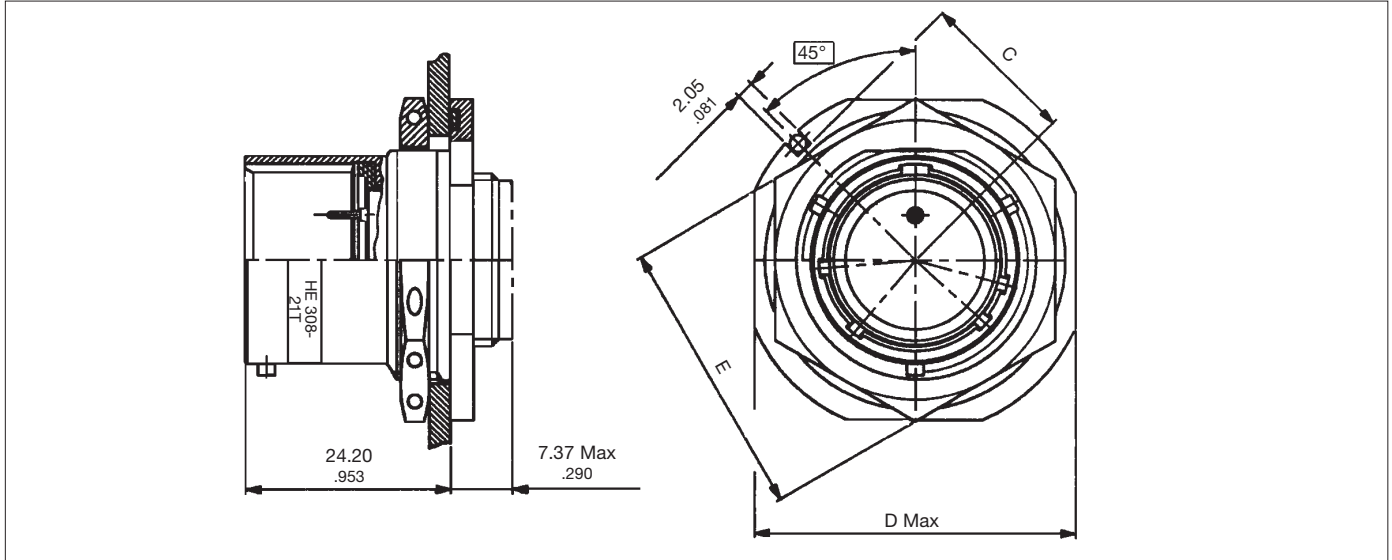
Ordering information

basic series	HE 308	-27	T	15	-35	P	N	7	M	•
shell type	27 - equipment receptacle 21 - straight spill receptacle 26 - rack plug (shell 11 to 23)									
class	T - environmental version									
shell size	11-13-15-17-19-21-23									
contact layout	- see table page 383									
contact type	P - male S - female									
polarization	N									
plating	7 - olive green cadmium									
contractual specification										
specification	without - connector supplied with contacts L - connector supplied without contacts									

HE 308 Rack Version

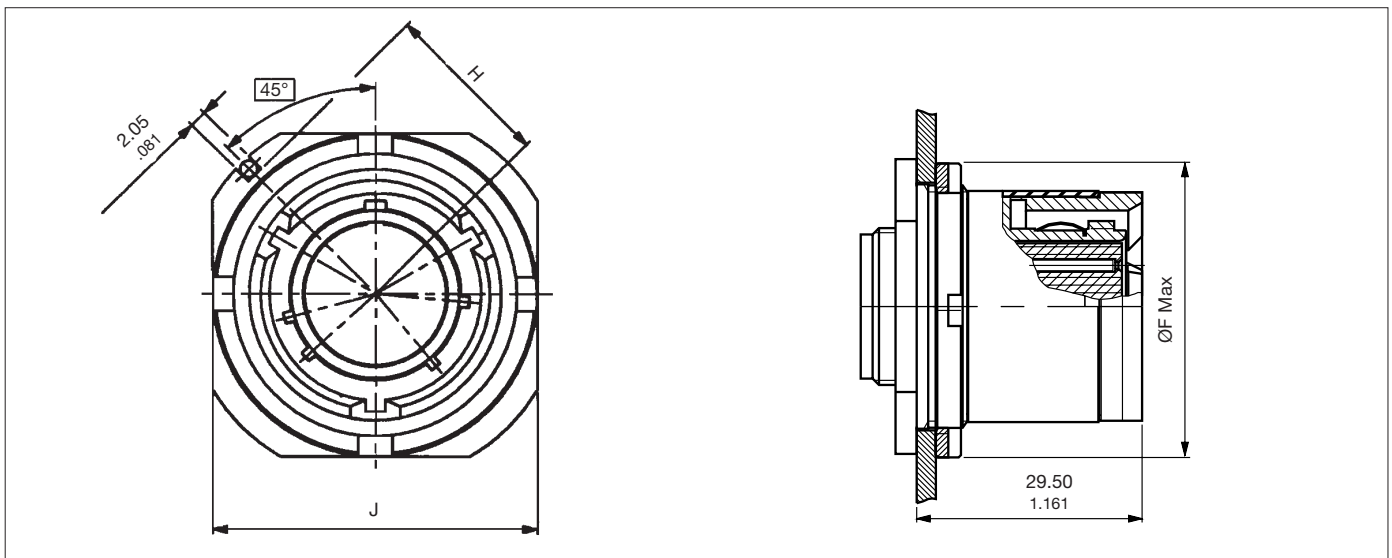


Dimensions 27 type receptacle



Shells	11	13	15	17	19	21	23
C	15.33 .604	16.92 .666	18.51 .729	20.10 .791	22.67 .893	24.26 .955	25.84 1.017
D Max	32.16 1.266	35.34 1.391	38.51 1.516	41.69 1.641	46.43 1.828	49.64 1.954	52.78 2.078
E	25.55 1.006	30.30 1.193	33.45 1.317	36.65 1.443	39.80 1.567	43 1.567	46.15 1.817

26 type plug

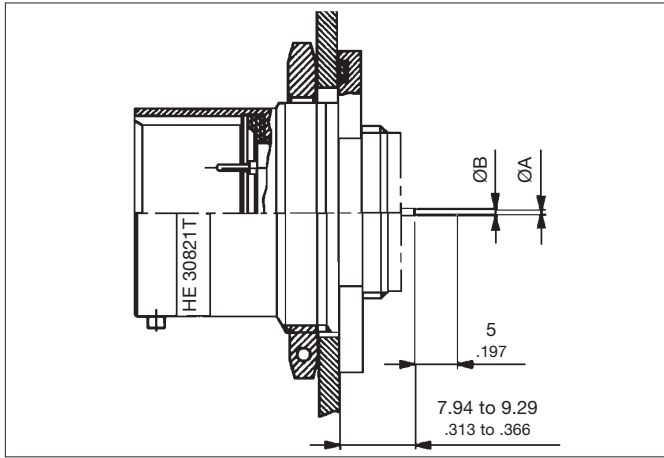


Shells	11	13	15	17	19	21	23
F Max	32.10 1.264	35.25 1.388	38.40 1.512	41.60 1.638	46.30 1.823	49.60 1.953	52.70 2.075
H	16.92 .666	18.51 .729	20.10 .791	22.67 .893	24.26 .955	25.84 1.017	27.43 1.080
J	32.16 1.266	35.34 1.391	38.51 1.516	41.69 1.641	46.43 1.828	49.64 1.954	52.78 2.078



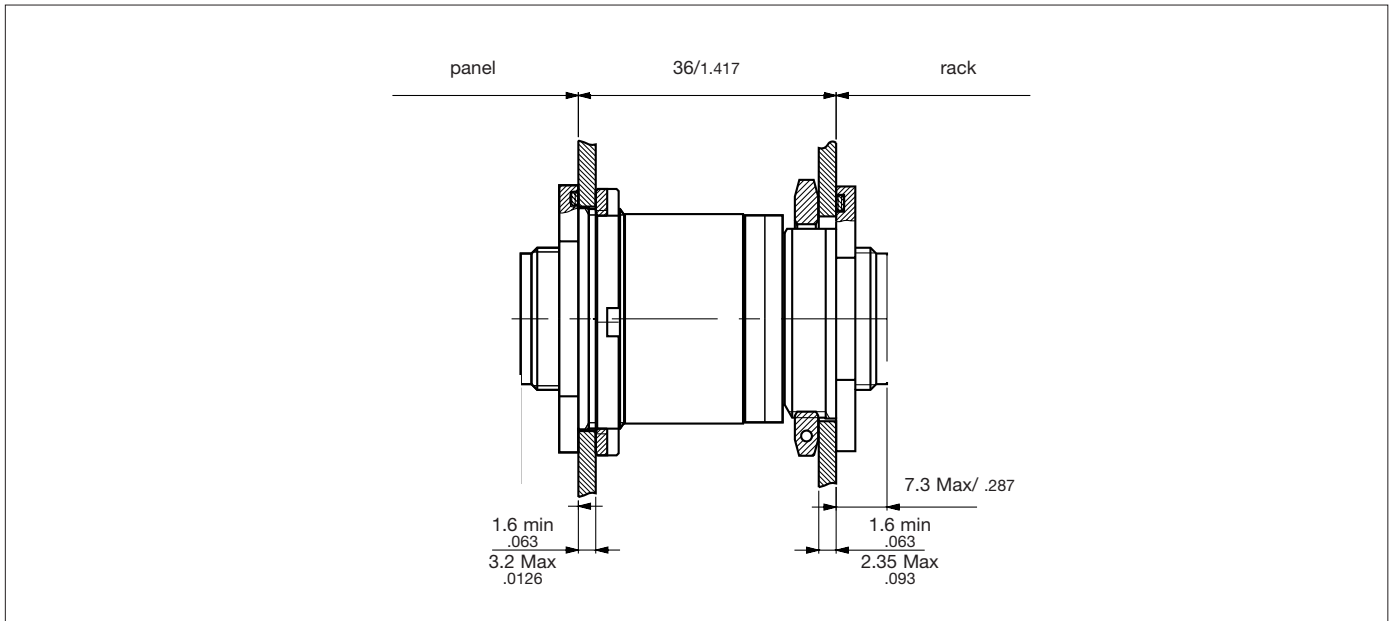
HE 308 Rack Version

21 type receptacle (with straight spill contacts)



Contact size	#22D	#20	#16
A	0.5 .020	0.7 .028	1.15 .045
B	1 .039	1.5 .059	2.2 .087

Mated connectors (26 type plug and 27 type receptacle)



HE 308 Rack Version



Contact layouts viewed from front face of male insulator

11	11-35 13#22D 	11-98 6#20 	11-01 1#12 	11-05 5#20 	11-04 4#20 	
	13	13-35 22#22D 	13-98 10#20 	13-08 8#20 	13-04 4#16 	
15	15-35 37#22D 	15-19 19#20 	15-05 5#16 	15-97 8#20 4#16 	15-18 18#20 	
	17	17-35 55#22D 	17-26 26#20 	17-06 6#12 	17-08 8#16 	17-99 2#16 21#20
19		19-35 66#22D 	19-32 32#20 	19-11 11#16 		
	21	21-35 79#22D 	21-41 41#20 	21-16 16#16 	21-11 11#12 	21-75 4#8
23		23-35 100#22D 	23-53 53#20 	23-21 21#16 		

HE 308 Rack Version



Crimp contacts

Contact size	Contact type	Admissible section				Ø over insulator mm		Part numbers	
		AWG min	Max	mm ² min	Max	min	Max	FCI Souriau	DAT
# 22D	Male	28	22	0.095	0.34	0.76	1.37	M39029/58-360	DTAT2C1-22DPM
	Female							M39020/56-348	DTAT2C1-22DSM
# 20	Male	24	20	0.21	0.61	1.02	2.11	M39029/58-363	DTAT2C1-20PM
	Female							M39029/56-351	DTAT2C1-20SM
# 16	Male	20	16	0.60	1.34	1.65	2.77	M39029/58-364	DTAT2C1-16PM
	Female							M39029/56-352	DTAT2C1-16SM
# 12	Male	14	12	1.91	3.18	2.46	3.61	M39029/58-365	DTAT2C1-12PM
	Female							M39029/56-353	DTAT2C1-12SM

Coax and triax contacts

Contact size	Contact type	Admissible cable	Ø over insulator mm		Part numbers	
			min	Max	FCI Souriau	DAT
# 12	Male	RG174	1.65	2.77	8599-0916	
	Female	RG179 RG316			8599-0920	
# 08	Male	MIL.C 17/176. 00002 FILECA F .2703/14	3.15	3.40	8599-5210 *	
	Female	RAYCHEM CHEMINAX 10612 FILOTEX M 17/176.00002			8599-5220 *	

* Contact and sealing sleeve.

Straight spill contacts

Contact size	Contact type	Ø straight spill	Part numbers	
			FCI Souriau	DAT
# 22D	Male	0.50	8599-0796	DTAT2Y1-22DPM
	Female		8599-0797	DTAT2Y1-22DSM
# 20	Male	0.70	8599-0724	DTAT2Y1-20PM
	Female		8599-0725	DTAT2Y1-20SM
# 16	Male	1.15	8599-0726	DTAT2Y1-16PM
	Female		8599-0727	DTAT2Y1-16SM

Accessories

Filler plug

Contact size	Norm	Part numbers		Color
		FCI Souriau	DAT	
22D	MS27488-22	8660-212	HE308A01-22M	black
20	MS27488-20	8522-389A	HE308A01-20M	red
16	MS27488-16	8522-390A	HE308A01-16M	blue
12	MS27488-12	8522-391A	HE308A01-12M	yellow

