

8479 Series



Applications

Submarine and subsea defense equipments



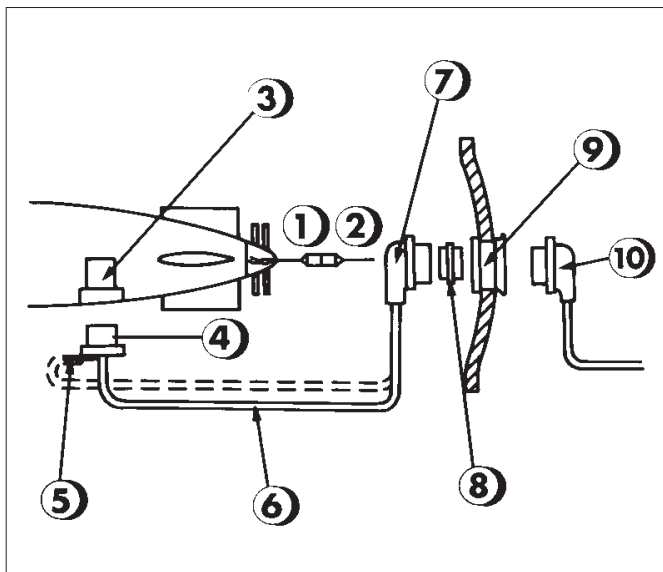
Description

- Cable assembly equipment with guillotine system for wire guided torpedoes.

Characteristics

Part number range	Layout	Contact section (mm ²)	Maximum wire section (mm ²)	Working voltage (Volt)	Maximum current rating per contact (A)	Maximum bundle current capacity per contact (A)	Subsea environment class (Max. working pressure (bar))
8479	65 cts # 16 ($\varnothing = 1.57 \text{ mm}$) 0.062	1.93	1.34	250	13	5	50 bar/15' (mated) Open face receptacle = 25 bar

Ordering information



Item	Designation	Part number
3	Hermetic male receptacle for torpedo	8479-21 (ex 8479-18)
4	Non hermetic female plug for torpedo	8479-22 (ex 8479-19)
5	Wire cutting system (guillotine)	8479-27 (ex 8479-03)
6	"A" cable for complete torpedo to torpedo tube door	8479-28
7	Hermetic male plug for internal torpedo tube door	8479-24 (ex 8479-01A)
8	Hermetic male test cap connector	8479-25
9	Female/female thrubulkhead connector for torpedo tube door	8479-30
10	Non hermetic male plug for external	8479-23 (ex 8479-20)