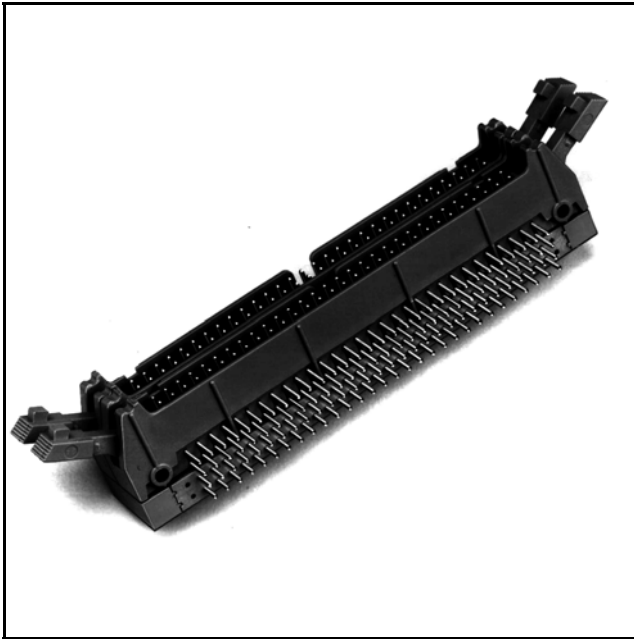


3M™ Pak 100 4-Wall Condo Header

.100" × .100" Right Angle

3000 Series



- Stacked pins conserve space on the circuit board allowing higher density packaging
- Pin quantity to 128 gives design flexibility with latching
- “HDI” alternative
- Accepts standard IDC sockets
- Mates with standard flat cable harnesses
- High temperature insulator suitable for “no lead” soldering operations
- RoHS* compliant

Date Modified: January 4, 2005

TS-0774-04
Sheet 1 of 3

Physical

Insulator

Material: Glass Filled Polyester (PCT)
Flammability: UL 94V-0
Color: Black

Contact

Material: Copper Alloy

Plating

Underplating: 100 μ " [2.54 μ m] Nickel - Overall
Wiping Area: 30 μ " [0.76 μ m] Gold
Solder Tails: 200 μ " [5.08 μ m] Matte Tin
Terminal Finish Indicator: e3 (per JESD97)
Marking: 3M Logo, Part Identification Number and Orientation Triangle

Electrical

Current Rating: 1 A
Insulation Resistance: $>1 \times 10^9 \Omega$ at 500 Vdc
Withstanding Voltage: 1000 Vrms at Sea Level

Environmental

Temperature Rating: -55°C to +105°C
Process Rating: Maximum 260°C, single pass, (profile per J-STD-020C)
Moisture Sensitivity Level: 1 (per J-STD-020C)

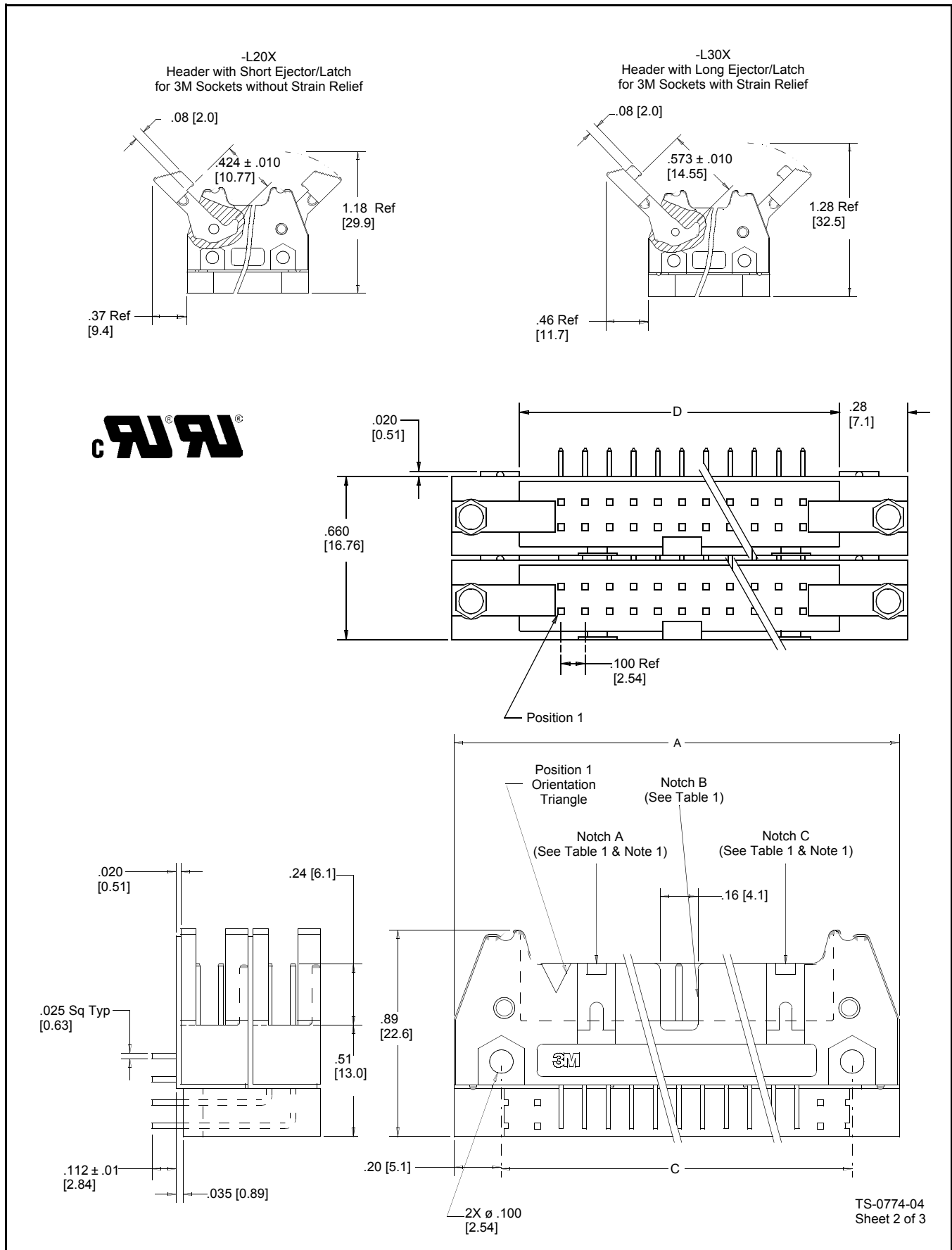
UL File No.: E68080

RoHS = Directive 2002/95/EC,
Restriction of the Use of Certain Hazardous Substances in Electrical and Electronic Equipment

3M™ Pak 100 4-Wall Condo Header

.100" × .100" Right Angle

3000 Series



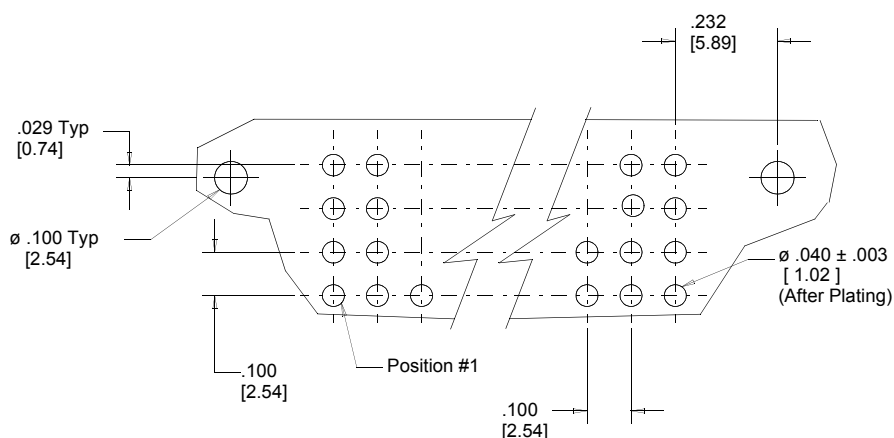
3M™ Pak 100 4-Wall Condo Header

.100" × .100" Right Angle

3000 Series

Table 1

Pin Quantity	Part Number	Dimensions			Polarization Notches
		A	C	D	
20	3793	1.26 [32.1]	0.865 [21.97]	0.71 [18.0]	B C
28	3314	1.46 [37.2]	1.065 [27.05]	0.91 [23.1]	B C
32	3408	1.56 [39.7]	1.165 [29.59]	1.01 [25.6]	A B C
40	3428	1.76 [44.8]	1.365 [34.67]	1.21 [30.7]	A B C
48	3627	1.96 [49.9]	1.565 [39.75]	1.41 [35.8]	A B C
52	3429	2.06 [52.4]	1.665 [42.29]	1.51 [38.3]	A B C
60	3440	2.26 [57.5]	1.865 [47.37]	1.71 [43.4]	A B C
68	3431	2.46 [62.6]	2.065 [52.45]	1.91 [48.5]	A B C
80	3432	2.76 [70.2]	2.365 [60.07]	2.21 [56.1]	A B C
100	3433	3.26 [82.9]	2.865 [72.77]	2.71 [68.8]	A B C
120	3372	3.76 [95.6]	3.365 [85.47]	3.21 [81.5]	A B C
128	3764	3.96 [100.7]	3.565 [90.55]	3.41 [86.6]	A B C



Recommended Hole Pattern

Notes:

1. Notches A & C will accommodate 3M Polarizing Key (3M Part Number N3518).
2. .112 [2.84] tail length suitable for .062 [1.57] thick pc board.
3. Contact your 3M sales representative for custom requirements.

Tolerance Unless Noted			
	Inch	[mm]	
	.0	.00	.000
Inch	±.1	±.01	±.005

[] Dimensions for Reference only

Ordering Information

NXXXX-LX02RB

3M Part Number

Latch/Ejector System

- 2 = Short, Roll Pin Latch/Ejectors (3M Part #3505-2)
- 3 = Long, Roll Pin Latch/Ejectors (3M Part #3505-3)

TS-0774-04
Sheet 3 of 3

Important Notice

All statements, technical information, and recommendations related to 3M's products are based on information believed to be reliable, but the accuracy or completeness is not guaranteed. Before using this product, you must evaluate it and determine if it is suitable for your intended application. You assume all risks and liability associated with such use. Any statements related to the product which are not contained in 3M's current publications, or any contrary statements contained on your purchase order shall have no force or effect unless expressly agreed upon, in writing, by an authorized officer of 3M.

Warranty; Limited Remedy; Limited Liability.

This product will be free from defects in material and manufacture for a period of 90 days from the time of purchase. **3M MAKES NO OTHER WARRANTIES INCLUDING, BUT NOT LIMITED TO, ANY IMPLIED WARRANTY OF MERCHANTABILITY OR FITNESS FOR A PARTICULAR PURPOSE.** If this product is defective within the warranty period stated above, your exclusive remedy shall be, at 3M's option, to replace or repair the 3M product or refund the purchase price of the 3M product. **Except where prohibited by law, 3M will not be liable for any indirect, special, incidental or consequential loss or damage arising from this 3M product, regardless of the legal theory asserted.**

3M

Electronic Solutions Division

6801 River Place Blvd.
Austin, TX 78726-9000
www.3M.com/esd



Minimum 10%
Post-consumer Fiber

Printed in USA.

© 3M 2005